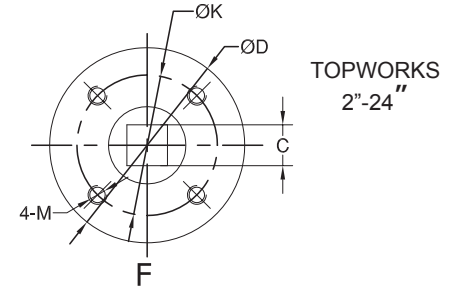
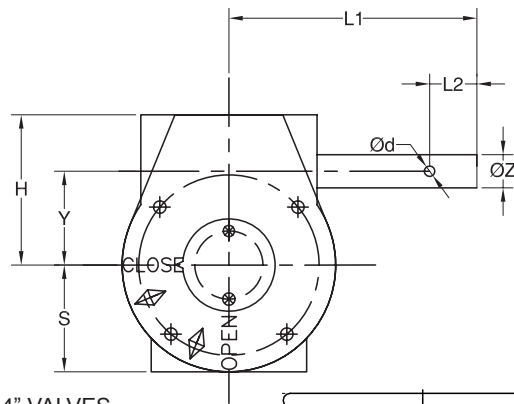
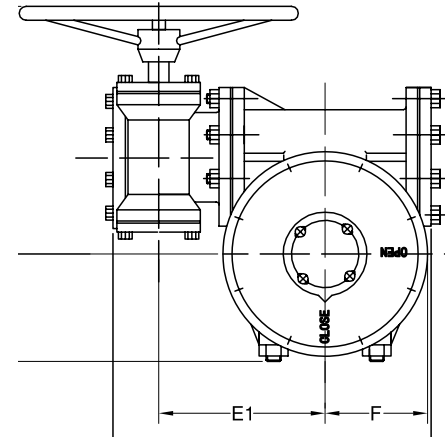


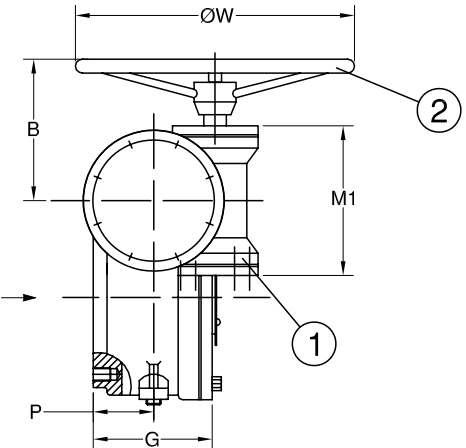
GEARBOX FOR 2"-14" VALVES



TOPWORKS  
2"-24"

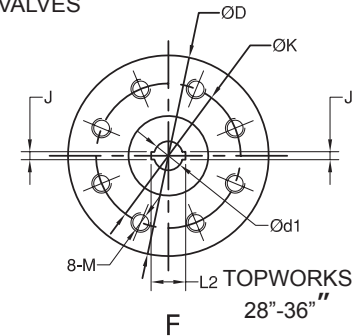


GEARBOX FOR 16"-36" VALVES



DIMENSIONS (in)										
SIZE	W	B	G	H1	B1	P	D1	E1	F	M1
16"	11.811	6.024	4.134	12.402	9.724	2.087	4.725	6.496	4.055	5.512
18"	11.811	6.024	4.134	12.402	9.724	2.087	4.725	6.496	4.055	5.512
20"	11.811	6.024	4.134	12.402	9.724	2.087	4.725	6.496	4.055	5.512
24"	11.811	6.890	4.921	14.567	11.811	2.441	5.512	7.368	5.157	6.811
28"	17.717	8.268	5.354	16.929	13.780	2.560	6.299	8.780	5.749	7.677
30"	17.717	8.268	5.354	16.929	13.780	2.560	6.299	8.780	5.749	7.677
32"	17.717	8.268	5.354	16.929	13.780	2.560	6.299	8.780	5.749	7.677
36"	17.717	8.268	5.354	18.307	14.666	3.426	6.693	9.371	6.693	7.677

DIMENSIONS (in)												
SIZE	H	H1	H2	L	E	Y	S	W	L2	ØD	L1	Øz
2"	2.768	2.480	1.260	6.083	2.067	1.764	2.114	5.748	0.866	0.197	4.587	0.630
2-1/2"	2.768	2.480	1.260	6.083	2.067	1.764	2.114	5.748	0.866	0.197	4.587	0.630
3"	2.768	2.480	1.260	6.083	2.067	1.764	2.114	5.748	0.866	0.197	4.587	0.630
4"	2.768	2.480	1.260	6.083	2.067	1.764	2.114	5.748	0.866	0.197	4.587	0.630
5"	2.768	2.480	1.260	6.083	2.067	1.764	2.114	5.748	0.866	0.197	4.587	0.630
6"	2.768	2.480	1.260	6.083	2.067	1.764	2.114	5.748	0.866	0.197	4.587	0.630
8"	3.760	3.091	1.496	2.795	2.795	2.402	2.815	11.614	1.181	0.236	7.638	0.748
10"	3.760	3.091	1.496	2.795	2.795	2.402	2.815	11.614	1.181	0.236	7.638	0.748
12"	4.291	3.150	1.496	3.071	3.071	3.327	3.110	11.614	1.181	0.236	7.638	0.748
14"	4.291	3.150	1.496	3.071	3.071	3.327	3.110	11.614	1.181	0.236	7.638	0.748



TOPWORKS  
28"-36"

<b>DESCRIPTION:</b>	<b>DATE:</b>	<b>DWG:</b>
Dim Dwg (inches) – 2"-36" Worm Gear Actuated Resilient Seated BFV	04.29.24	TS-DD0015-A