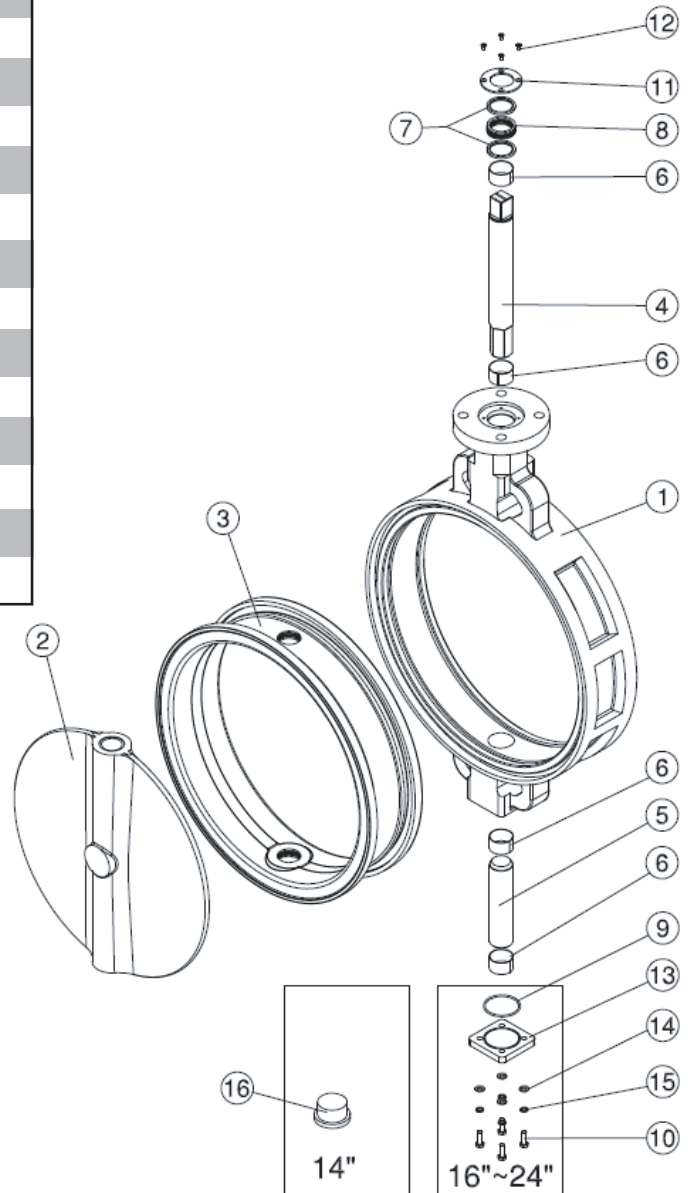


NO.	PART NAME	MATERIAL	NO.
1	BODY	DUCTILE IRON	1
2	DISC	CF8M	1
3	SEAT	EPDM/NBR/FKM	1
4	UPPER SHAFT	SS 431	1
5	LOWER SHAFT	SS 431	1
6	BUSHING	SS316+PTFE	4
7	PACKING PAD	PTFE	2
8	PACKING	NBR	1
9	END COVER SEAL	NBR	1
10	SCREW	SS304	4
11	LOCKING PAD	SS304	1
12	SCREW	SS304	4
13	END COVER	DUCTILE IRON	1
14	WASHER	SS304	4
15	SPRING WASHER	SS304	4
16	PLUG (14" ONLY)	A105 Zn Planting	1



DESCRIPTION:	DATE:	DWG:
Materials of Construction - 14"-24" Resilient Seated BFV	04.29.24	TS-MC0002-A