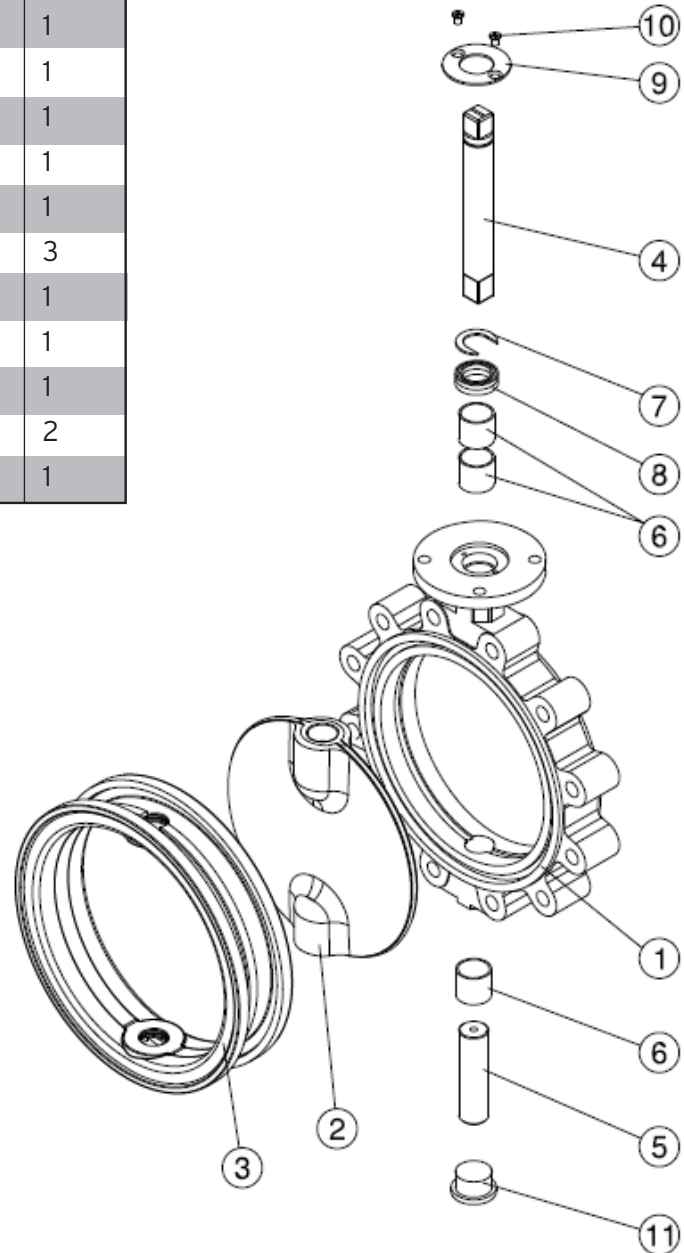


NO.	PART NAME	MATERIAL	NO.
1	BODY	DUCTILE IRON	1
2	DISC	CF8M	1
3	SEAT	EPDM/NBR/FKM	1
4	UPPER SHAFT	SS 431	1
5	LOWER SHAFT	SS 431	1
6	BUSHING	SS316+PTFE	3
7	U-RING	SS304	1
8	PACKING	NBR	1
9	LOCKING PAD	SS304	1
10	SCREW	SS304	2
11	PLUG	A105 Zn Planting	1



DESCRIPTION:

Materials of Construction - 2"-12" Resilient Seated BFV

DATE:

04.29.24

DWG:

TS-MC0001-A



McWane Plant & Industrial
1201 Vanderbilt Road
Birmingham, AL 35234