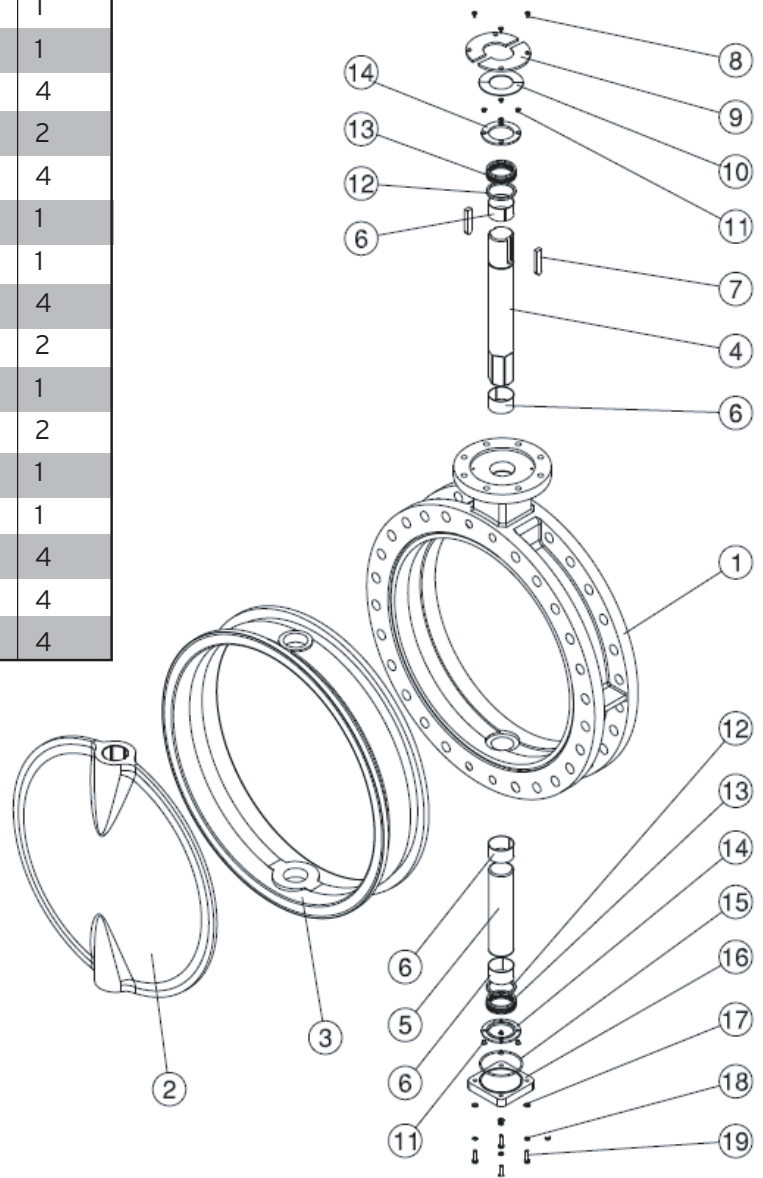


NO.	PART NAME	MATERIAL	NO.
1	BODY	DUCTILE IRON	1
2	DISC	CF8M	1
3	SEAT	EPDM / NBR / FKM	1
4	UPPER SHAFT	SS 431	1
5	LOWER SHAFT	SS 431	1
6	BUSHING	SS316+PTFE	4
7	KEY	ASTM 1045	2
8	BOLTS	SS304	4
9	GASKET	ASTM A36	1
10	LOCKING PAD	ASTM A36	1
11	BOLTS	SS304	4
12	PACKING PAD	PTFE	2
13	PACKING	NBR	1
14	PACKING GLAND	ASTM A36	2
15	END COVER SEAL	NBR	1
16	END COVER	DUCTILE IRON	1
17	WASHER	SS304	4
18	SPRING WASHER	SS304	4
19	SCREW	SS304	4



**DESCRIPTION:**

Materials of Construction - 28"-36" Resilient Seated BFV

**DATE:**

04.29.24

**DWG:**

TS-MC0003-A



McWane Plant & Industrial  
1201 Vanderbilt Road  
Birmingham, AL 35234