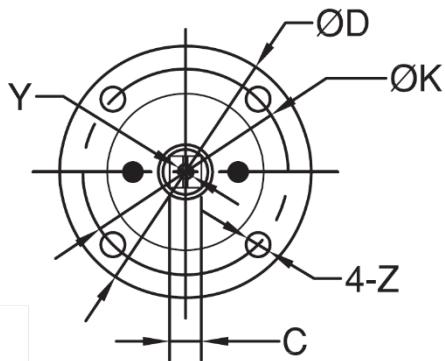


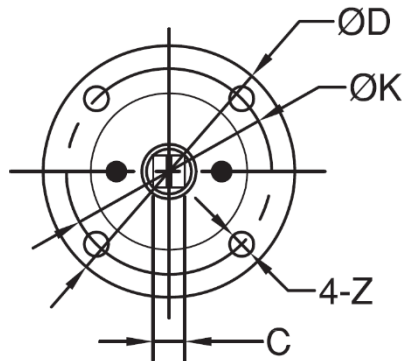
TOPWORKS DIMENSIONS (inches)						
Size	øD	øK	Y	C	Z-4	H1
2	3.54	2.76	M5	0.43	0.39	1.10
2.5	3.54	2.76	M5	0.43	0.39	1.10
3	3.54	2.76	M5	0.43	0.39	1.10
4	3.54	2.76	M5	0.43	0.39	1.10
5	3.54	2.76	M5	0.43	0.39	1.10
6	3.54	2.76	M5	0.43	0.39	1.10
8	5.91	4.92	M8	0.67	0.55	1.38
10	5.91	4.92		0.87	0.55	1.38
12	5.91	4.92		0.87	0.55	1.38
14	5.10	4.92		0.87	0.55	1.38
16	6.89	5.51		1.06	0.71	1.42
18	6.89	5.51		1.06	0.71	1.42
20	8.27	6.50		1.42	0.87	1.42
24	8.27	6.50		1.42	0.87	1.81

Size	øD	øK	Y	C	F	H1
28	11.81	10.0	2.91	2.56	0.71	4.33
30	11.81	10.0	2.91	2.56	0.71	4.33
32	11.81	10.0	2.91	2.56	0.71	4.33
36	13.78	11.73	3.34	2.95	0.79	5.12

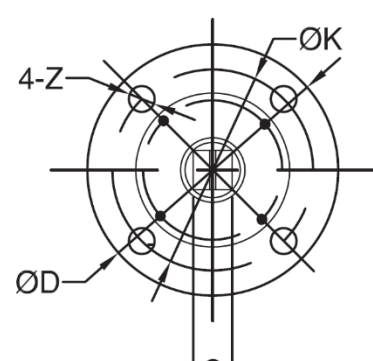
Size	TORQUE - SOFT SEAT RESILIENT SEATED BFV (lbf.in)					
	EPDM		NBR		FKM	
	145 psi	230 psi	145 psi	230 psi	145 psi	230 psi
2	80	89	89	98	107	116
2.5	133	151	151	169	178	195
3	186	231	204	257	239	301
4	328	381	363	416	425	496
5	505	576	558	638	655	753
6	832	912	912	1,001	1,080	1,187
8	1,514	1,824	1,664	2,010	1,965	2,373
10	2,337	2,647	2,567	2,912	3,036	3,444
12	3,559	3,691	3,913	4,063	4,630	4,798
14	4,594	6,922	5,054	7,612	5,975	9,002
16	6,701	10,834	7,373	11,914	8,710	14,082
18	9,329	13,392	10,259	14,729	12,126	17,410
20	12,569	16,632	13,826	18,296	16,339	21,623
24	19,260	29,943	21,190	32,935	25,040	38,927
28	27,987	37,015	30,784	40,715	36,387	48,123
30	35,210	47,999	38,732	52,797	45,778	62,400
32	42,432	58,984	46,672	64,878	55,160	76,677
36	57,559	73,428	63,312	80,775	74,827	95,459



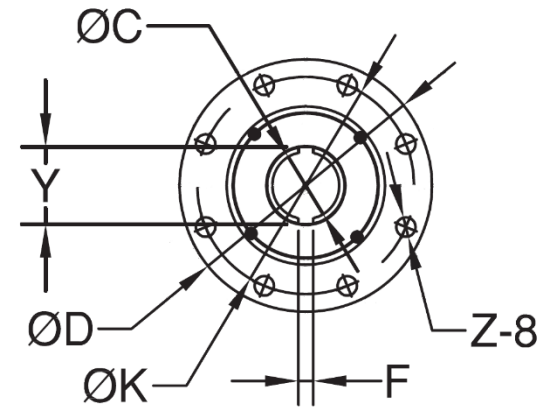
2" - 8"



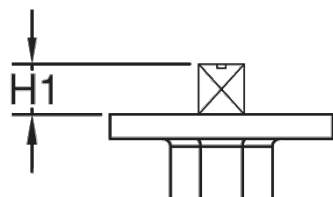
10" - 12"



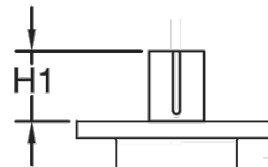
14" - 24"



28" - 36"



2" - 24"



28" - 36"

DESCRIPTION:

Torques & Topworks Dims (inches)
2"-36" Resilient Seated BFV

DATE:

4/30/24

DRAWING:

TS-TD0012-A



McWane Plant & Industrial
1201 Vanderbilt Road
Birmingham, AL 35234