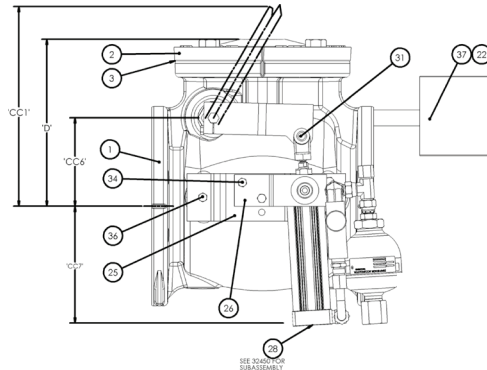
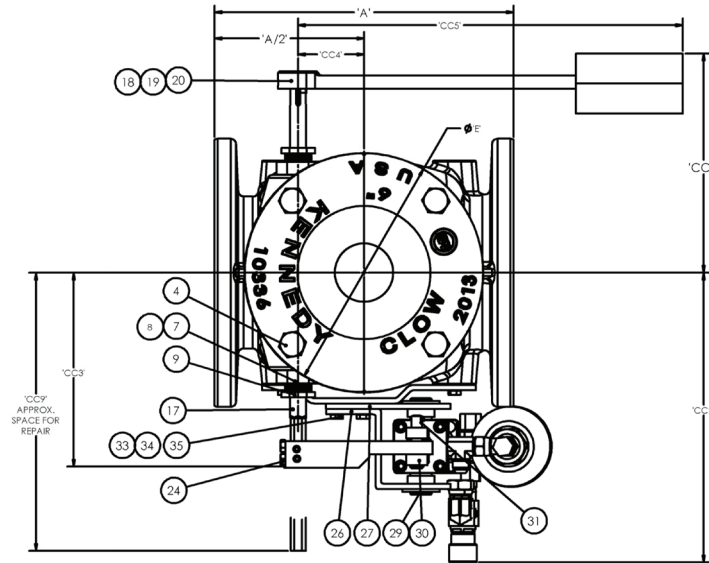


**SWING CHECK VALVE
 WITH LEVER AND WEIGHT
 WITH OIL CUSHION
 SIZES 2" - 12"**

DRAWING NO. - 81746 REV - 05
 DRAWN BY - JEB



No.	DATE	ECN	REVISION
1	12/16	---	Released for production.
2	06/17	---	Updated oil cylinder to fixed piping
3	08/17	---	Updated model, modified details.
4	04/18	3098	Added seal gland nut, replaced stuffing box, packing, and gland.
5	07/20	2811	Added stuffing box, stuffing ring, gland nut, washers.

SIZE	DIMENSIONS												WEIGHTS
	A	D	E	CC1	CC2	CC3	CC4	CC5	CC6	CC7	CC8	CC9	
3	9.5	7.5	6.6	14	13	6.3	2.0	11.5	3.32	9	8.0	17.5	92
4	11.5	9	9.1	14	13	8.0	2.4	12	3.75	9	8.5	22	157
6	14.0	10	11.2	20	14	9.6	3.1	18	5	8	9.7	25.5	226
8	19.5	13	13.6	23	15	10.3	4.9	18	6.25	7	11.7	29	412
10	24.5	14	16.8	24	19	12.5	6.2	18	7.12	12	13.3	33	625
12	27.5	16.5	19.1	25	20	13.7	8.4	18	8.19	11	15.5	37	876

Dimensions are approximate- for Checking Clearances only.
 Allow clearance two sides to remove side plug and access hinge pin.

PARTS LIST

PART No.	PART	MATERIAL & ASTM DESIGNATION
1	Body	Gray Iron ASTM A126-B
2	Cap	Gray Iron ASTM A126-B
3	O-Ring, Cap Flange	Rubber; Buna-N
4	Bolt; Cap	18-8 Stainless Steel F593, F594
5	Seat Ring	Bronze C89833 or C87850
6	O-Ring; Seat Ring	Rubber; Buna-N
7	Stuffing Box	C69300 Bronze; 12" 304SS
8	Packing	Non-Asbestos
9	Gland Follower	C69300
10	Hinge (Double Key)	Ductile Iron ASTM A536
11R	Disc Holder	3" Bronze; 4"-12" Gray Iron ASTM A126-B
12R	Disc	Rubber; Nitrile
13R	Disc Plate	3" 18-8 Stainless; 4"-12" Bronze C89833 or C87850
14	Disc Bolt	3" Bronze; 4"-12" Gray Iron ASTM A126-B
15	Disc Bolt Nut	18-8 Stainless Steel F593, F594
16	O-Ring; Disc Bolt	Rubber; Buna-N
17	Hinge Pin; Special	ASTM A579 Grade 73; Tin / Electroless Nickel Plated
18	Lever	Steel
19	Key; Lever	Stainless Steel
20	Set Screw; Lever	Steel Plated
21	Key; Hinge	Stainless Steel; 12" Cold Worked
22	Set Screw; Weight	Steel Plated
23	Cylinder Arm	Steel; 12" 1045 Steel
24	Hex Head Cap Screw; Cylinder	Steel
25	Bracket; Body Cylinder	Steel
26	Bracket, Outer	Steel
27	Bracket, Inner	Steel
28	Hydraulic Cylinder Assembly	see drawing 32450
29	Bushing; Bracket	Steel
30	Clevis Rod End	Steel
31	Coupling Pins; Clevis	Pivot Point Pin
32	Set Screw; Cylinder Arm	Steel Plated
33	Lockwasher; Bracket	Steel Plated
34	Screw; Cylinder Bracket	Steel Plated
35	Nut; Cylinder Bracket	Steel Plated
36	Screw	Steel Plated
37	Weight	Cast Iron
38	Special Washers (Not Shown)	Stainless Steel