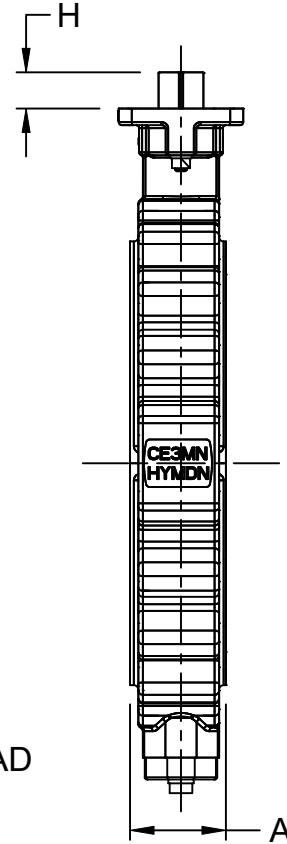
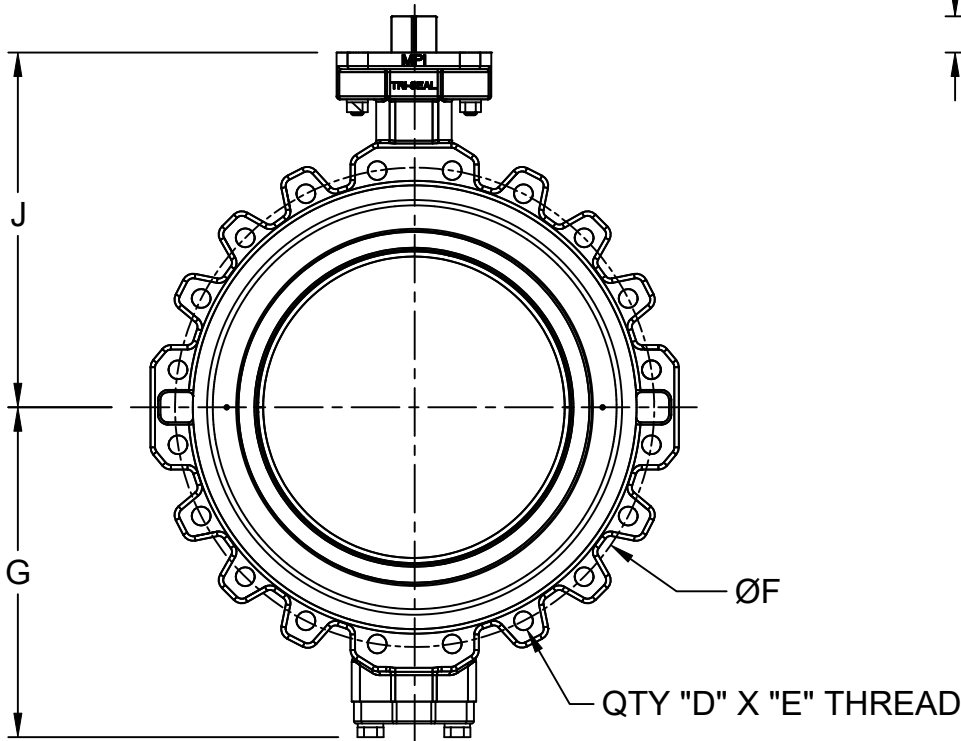


QTY "N" X ØP THRU
EQUALLY SPACED ON A
ØR BOLT CIRCLE
(REFERENCE "Y")

TOP FLANGE
2"-20"



DIMENSIONS (Inches)													
SIZE	A	D	E	F	G	H	J	N	P	R	S	Y	WT (lbs)
2	1.77	4	5/8"-11	4.75	4.65	0.63	5.55	4	0.50	4.02	0.551	F10	16
2.5	1.89	4	5/8"-11	5.50	4.96	0.63	5.87	4	0.50	4.02	0.551	F10	18
3	1.89	4	5/8"-11	6.00	5.28	0.63	6.30	4	0.50	4.02	0.551	F10	20
4	2.13	8	5/8"-11	7.50	5.67	0.63	7.00	4	0.50	4.02	0.551	F10	29
5	2.24	8	3/4"-10	8.50	7.00	0.75	7.91	4	0.50	4.02	0.669	F10	40
6	2.24	8	3/4"-10	9.50	7.48	0.75	8.39	4	0.50	4.02	0.669	F10	45
8	2.44	8	3/4"-10	11.75	8.43	0.83	9.45	4	0.63	4.92	0.748	F12	64
10	2.76	12	7/8"-9	14.25	10.00	0.95	11.02	4	0.63	4.92	0.866	F12	104
12	3.19	12	7/8"-9	17.00	11.73	1.14	12.20	4	0.75	5.51	1.063	F14	153
14	3.62	12	1"-8	18.75	12.91	1.50	13.50	4	0.75	5.51	1.260	F14	203
16	4.02	16	1"-8	21.25	14.84	1.50	15.55	4	0.87	6.50	1.417	F16	303
18	4.49	16	1 1/8"-8	22.75	15.83	1.50	16.54	4	0.87	6.50	1.417	F16	382
20	5.00	20	1 1/8"-8	25.00	17.20	1.89	18.50	4	0.87	6.50	1.811	F16	534

DESCRIPTION:
2"-20" API 609, 150# Lug Body Bare Stem High
Performance BFV

DATE:
08/01/2024

DRAWING:
TS-DD0015-A



McWane Plant & Industrial
1201 Vanderbilt Road
Birmingham, AL 35234