

F-10 CAST IRON DRAINAGE GATE

CAST IRON • AUTOMATIC

- Flatback or Spigotback
- Cast Iron Frame and Cover
- Galvanized Steel Angle Links
- Bronze Bushings Standard
- Built-in "Safety Bar" Prevents Sticking
- 5° seat on 6" - 24" sizes
- 2½° seat on 30" - 72" sizes
- Steel Assembly Hardware



The Waterman Red Top Drainage Gate has been designed as a competitive flap gate for use with concrete pipe, headwalls, and corrugated metal pipe with up to a ten foot seating head. The frame and cover are of heavy duty cast iron. Steel angle links have been used to absorb unbalanced side shock, and are balance-pivoted on bronze bushings.

A 5° seat on sizes six inches to twenty-four inches and 2½° seat on sizes 30 inches to 72 inches eliminates the need for special pipe cuts or sections, and prevents the gate from standing open due to slight pipe sagging or settling. An innovation in the cover provides each gate with a safety to prevent jamming, without additional cost.

Gates are available with special stainless steel or brass links and bolts.

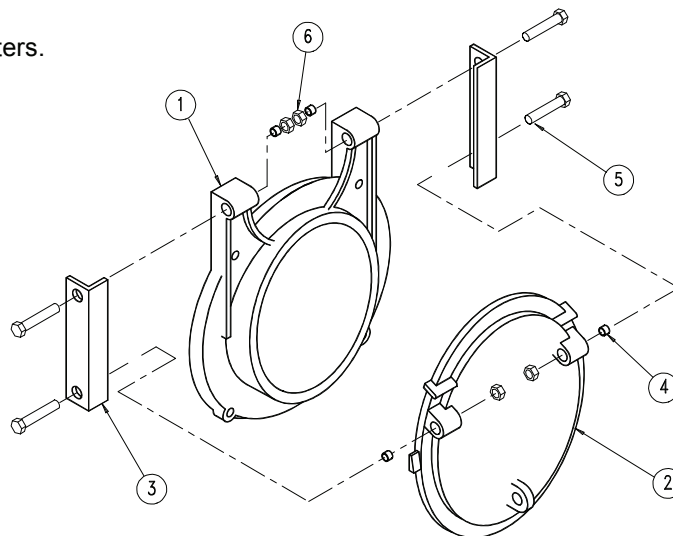
This gate has been extensively used on federal, state and municipal projects for drainage, waste line, sewage treatment, flood control and irrigation systems. A free outflow with practical sealing against back flow combine with maintenance-free operation to assure years of service.

This gate is not recommended for pump discharge or other applications where violent slamming may occur.

OPTIONAL ITEMS INCLUDE:

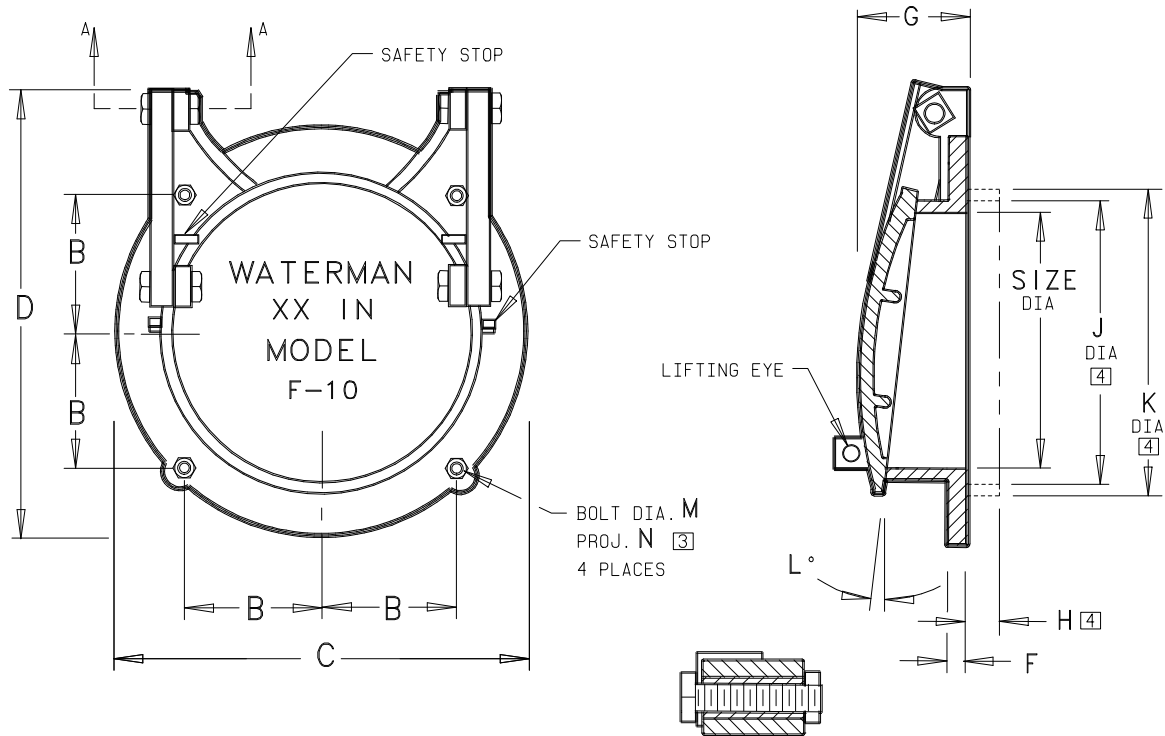
- Stainless Steel or bronze links, and bolts.
- Special heavy-duty links and bushings for severe service
- Special paint coatings or ASTM galvanizing
- Taper setting collars and special pipe adapters.

PARTS LIST		
No.	Name	Qty.
1	Frame	1
2	Cover	1
3	Hinge Link	2
4	Hinge Bushing	4
5	Bolt	4
6	Nut	4



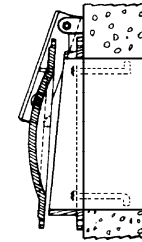
Maximum 10 foot seating head

F-10 DRAINAGE GATE

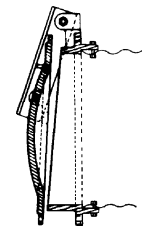


1. For use with seating heads to 10 feet.
2. Not recommended for pump discharge use.
3. Add grout pad thickness to anchor bolt projection.
4. Applies to spigotback gate only. Spigot, shown in phantom, is optional

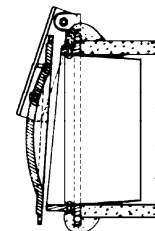
SECTION A-A



**Flatback
(Head Wall Mounting)**



**Spigotback
(For Corrugated Metal Pipe)**



**With Setting Collar
(For Concrete Pipe)**

GATE DIMENSIONS IN INCHES

SIZE DIA.	B	C	D	F	G	H	J	K	L°	M	N
4	2 ¹ / ₄	6 ³ / ₁₆	8 ¹ / ₂	³ / ₈	4 ¹ / ₈	2 ¹ / ₄	5 ¹ / ₈	5 ⁵ / ₈	5	¹ / ₂	1 ³ / ₈
6	2 ¹³ / ₁₆	8 ¹ / ₁₆	10	³ / ₈	4 ¹ / ₈	2 ¹ / ₄	7 ¹ / ₈	7 ⁹ / ₁₆	5	¹ / ₂	1 ³ / ₈
8	3 ¹ / ₂	10	12	³ / ₈	4 ¹ / ₄	2 ³ / ₁₆	9 ⁵ / ₈	9 ⁵ / ₈	5	¹ / ₂	1 ³ / ₈
10	4 ³ / ₄	12 ¹ / ₄	14 ¹ / ₂	³ / ₈	4 ¹ / ₂	2 ¹ / ₄	11 ³ / ₁₆	11 ⁵ / ₈	5	¹ / ₂	1 ³ / ₈
12	5 ⁵ / ₈	15	17 ¹ / ₈	³ / ₈	4 ¹ / ₂	2 ¹ / ₈	13 ¹ / ₈	13 ⁵ / ₈	5	¹ / ₂	1 ³ / ₈
14	5 ¹⁵ / ₁₆	16 ⁷ / ₈	19 ⁵ / ₈	³ / ₈	4 ³ / ₄	2 ¹ / ₈	15 ¹ / ₁₆	15 ⁵ / ₈	5	¹ / ₂	1 ³ / ₈
15	6 ¹ / ₄	18 ¹ / ₈	20	³ / ₈	5	2 ¹ / ₄	16	16 ³ / ₄	5	¹ / ₂	1 ³ / ₈
16	6 ⁵ / ₈	18 ¹¹ / ₁₆	21 ⁵ / ₈	⁷ / ₁₆	5	2 ³ / ₈	17	17 ³ / ₄	5	¹ / ₂	1 ³ / ₈
18	7 ⁷ / ₁₆	21	24 ³ / ₈	⁷ / ₁₆	5 ³ / ₈	2 ¹ / ₈	19	19 ³ / ₄	5	¹ / ₂	1 ³ / ₈
20	8 ¹ / ₄	23 ⁹ / ₁₆	26 ¹ / ₂	¹ / ₂	6	2 ¹ / ₄	21 ¹ / ₈	21 ³ / ₄	5	⁵ / ₈	1 ⁵ / ₈
21	8 ⁹ / ₁₆	24 ¹ / ₈	27 ¹ / ₂	¹ / ₂	7	2 ¹ / ₄	22	22 ³ / ₄	5	⁵ / ₈	1 ⁵ / ₈
24	9 ¹¹ / ₁₆	27 ¹ / ₂	32	¹ / ₂	7 ⁵ / ₈	2 ¹ / ₄	25	26 ¹ / ₂	5	⁵ / ₈	1 ⁵ / ₈
30	12	34	39 ⁵ / ₈	³ / ₄	6 ¹ / ₂	2 ³ / ₁₆	31	32	2 ¹ / ₂	³ / ₄	2
36	14 ³ / ₈	40 ⁵ / ₈	46	³ / ₄	8	2 ¹ / ₈	37	38	2 ¹ / ₂	³ / ₄	2
42	16 ¹¹ / ₁₆	47 ³ / ₈	55 ³ / ₄	³ / ₄	8	2 ¹ / ₂	43 ³ / ₈	44 ³ / ₈	2 ¹ / ₂	³ / ₄	2
48	19 ⁵ / ₁₆	54 ¹ / ₂	63 ³ / ₈	³ / ₄	9 ¹ / ₈	3	49 ¹ / ₈	50 ¹ / ₂	2 ¹ / ₂	³ / ₄	2
54	22 ¹ / ₈	60 ¹ / ₄	71	⁷ / ₈	9 ³ / ₄	3	55 ¹ / ₄	57	2 ¹ / ₂	1	2 ³ / ₄
60	24 ¹³ / ₁₆	72	80 ⁵ / ₈	1	10 ³ / ₄	3	61 ¹ / ₄	62 ³ / ₄	2 ¹ / ₂	1	2 ³ / ₄
72	29	83	95 ¹ / ₂	1	11 ¹ / ₂	3 ¹ / ₈	74 ³ / ₄	76 ¹ / ₂	2 ¹ / ₂	1	2 ³ / ₄