

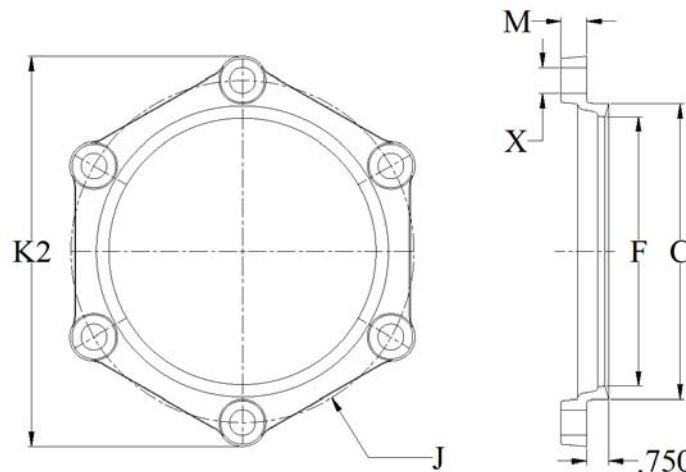
DOMESTIC

NON-DOMESTIC

## SUBMITTAL: C153 MECHANICAL JOINT GLANDS

(Current revisions for the noted Standards apply)

<b>SIZES:</b>	2" - 64" (2" not included in ANSI/AWWA C153 standard)
<b>STANDARDS:</b>	ANSI/AWWA C153/A21.53, NFPA13/24, 3"-12" UL and 3"-12" FM listed & approved (File - Tyler Union)
<b>MATERIAL:</b>	Cast of ASTM A536 qualified ductile iron. Date code is cast on and required for traceability.
<b>DEFLECTION:</b>	Joint deflection 5° max for 2"– 12" and 3° max for 14"– 48". Reduces by 50% at nominal pipe & fitting diameters
<b>NSF-61 &amp; NSF372:</b>	Meets all requirements including Annex G, Tyler Union's Underwriters Laboratory listing MH16439.
<b>ASPHALT COATING:</b>	Per ANSI/AWWA C104/A21.4 and ANSI/AWWA C153/A21.53.
<b>EPOXY COATING:</b>	Fusion bonded epoxy per ANSI/AWWA C116/A21.16. Additional coatings available upon request.
<b>BARE FITTINGS:</b>	Available upon request.
<b>FASTNERS:</b>	High strength low alloy weathering steel per ANSI/AWWA C111/A21.11 and ASTM A242
<b>INSTALLATION:</b>	Install per AWWA C600/C651 using pipe conforming to ANSI/AWWA C151/A21.51 or AWWA C900/905.



**NOMINAL JOINT DIMENSIONS IN INCHES**

Size Inches	DI Pipe Dia.	C Dia. GLAND	F Dia.	J Dia. GLAND	K <sup>2</sup> Dia. GLAND	M GLAND	X	Size	Qty.
3	3.96	4.84	4.06	6.19	7.69	0.62	3/4	5/8x3	4
4	4.80	5.92	4.90	7.50	9.12	0.75	7/8	3/4x3-1/2	4
6	6.90	8.02	7.00	9.50	11.12	0.88	7/8	3/4x3-1/2	6
8	9.05	10.17	9.15	11.75	13.37	1.00	7/8	3/4x4	6
10	11.10	12.22	11.20	14.00	15.62	1.00	7/8	3/4x4	8
12	13.20	14.32	13.30	16.25	17.88	1.00	7/8	3/4x4	8
14	15.30	16.40	15.44	18.75	20.25	1.25	7/8	3/4x4-1/2	10
16	17.40	18.50	17.54	21.00	22.50	1.31	7/8	3/4x4-1/2	12
18	19.50	20.60	19.64	23.25	24.75	1.38	7/8	3/4x4-1/2	12
20	21.60	22.70	21.74	25.50	27.00	1.44	7/8	3/4x4-1/2	14
24	25.80	26.90	25.94	30.00	31.50	1.56	7/8	3/4x5	16
30	32.00	33.29	32.17	36.88	39.12	2.00	1-1/8	1x6	20
36	38.30	39.59	38.47	43.75	46.00	2.00	1-1/8	1x6	24
42	44.50	45.79	44.67	50.62	53.12	2.00	1-3/8	1-1/4x6-1/2	28
48	50.80	52.09	50.97	57.50	60.00	2.00	1-3/8	1-1/4x6-1/2	32
54	Available on Request								
60	Available on Request								
64	Available on Request								

**Tyler Union Waterworks – Call Center Information**

**Anniston:** (800) 226-7601

**Corona:** (866) 527-8471

**Tyler:** (800) 527-8478